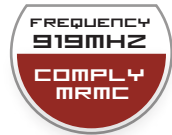




IS YOUR FIRST STEP
IN SECURITY

Good range. Small price



No more changing battery on your long range transponder

AR300U

AR300U is an ultra high frequency (UHF) long range reader that can read up to 10 meter off air. UHF card passive technology achieves long range without requiring any battery. This help save our environments by reducing battery usage.

- ✓ Certified compliance to SIRIM 919 Mhz to 923 Mhz frequency range as required by Malaysia MCMC regulation. SIRIM certificate is available upon request.
- ✓ Lower reader and card cost with optimum reading range for more affordable parking access system.
- ✓ Compact size designed to look good at your guard house entrance.
- ✓ LED light at the bottom of reader to indicate reading status



CDUS130L

Anti interference UHF card. Enrollment is easier with printed number on card.



CDUE130L

Dual frequency card . Support UHF & EM 125 Khz. Enrollment is easier with same card number and printed number on card.



CDUM130L

Dual frequency card support UHF & Mifare13.56Mh. Enrollment is easier with same cardnumber and printed number on card.



CDUT130L

Anti Tear UHF sticker. For security purpose, the sticker cannot be reused once tear out



Blue
Successful read card



Red
Power on

Features

Advance anti-interference technology

Most standard UHF card requires you to hold the card at edge. If your fingers covered a small portion of the card surface, the reading range will drop a lot.

CDUS130L UHF card antenna coil is designed to compensate small inductance change and maintain reading range when our fingers covering the small surface on the card.



The hand position to hold other brand standard UHF the card at edge is awkward & not convenient.



CDUS130L allow you to hold the card at the corner. This way of holding UHF card is more intuitive & convenient

Specification

Description	UHF reader
Dimension	215 x 225 x 52mm
Frequency	919 - 923 Mhz to comply Malaysia SIRIM MCMC regulation
Data output	Wiegand 26 / 34
Reading range	Up to 10 meters off air. 2 to 6 meter depending on type of solar film.
Power consumption	DC 12V, Idling = 220mA, scanning card = 330mA
Output power	30dbi
Protection	IP66, waterproof and weather proof for outdoor installation
Working temperature	- 20 + 70°C
Storage temperature	- 40 + 85°C
Humidity 0%	95% (non-condensing)
Standards	ISO 1800-63
Net Weight	0.8kg

Ordering info :

- AR300U** - Reader complete with mounting bracket
- CDUS130L** - UHF card (anti interference)
- CDUE130L** - Dual frequency UHF and EM 125 KHz card
- CDUM130L** - Dual frequency UHF and Mifare 13.56 Mhz card
- CDUT130L** - UHF Sticker

Special note :

UHF reader unable to support car installed with VKOOL,3M and other premium solar film with heavy metal element.

Anti-ambient reading

Reader will only read card once triggered by loop sensor when car passing through. When there is no car, reader will be disabled automatically to avoid wrongly reading unwanted cards nearby.

Anti-passback protection

Reader will delay 5 sec before reading the next card. This delay is to give enough time for first car to pass through before reading the next oncoming car. Reader will resume read the next card once the first car have exit the loop sensor. This is important to avoid anti-passback error on next approaching car.

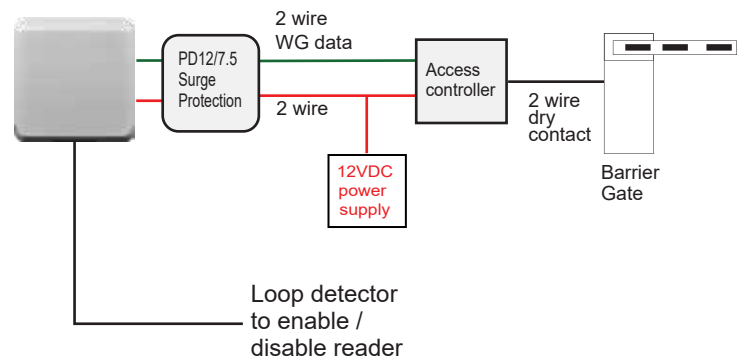
Standard wiegand interface output

AR300U send out card number via standard wiegand (WG26, WG34) interface output that is supported by most access controller in the world.

Same card number for dual frequency card

CDUE130L and CDUM130L dual frequency card are using the same number as printed on the card. Meaning that you only need to enroll 1 number into the access control system and it will work for both UHF and Mifare / EM readers. This save you a lot of time. Only 1 card number for each user will appear in access event report. This make it easier to review access control event report.

Wiring diagram



Accessories



Metal Pole



Surge Protection Data and 12V



NVS1230P Power Supply