

CNC445W30IR – 3.0M 30X 150m IR IP Speedome



Speedome Function

- 3D Positioning
- Power-Off Memory
- Scheduled PTZ movement
- Park action
- Privacy Mask

Features

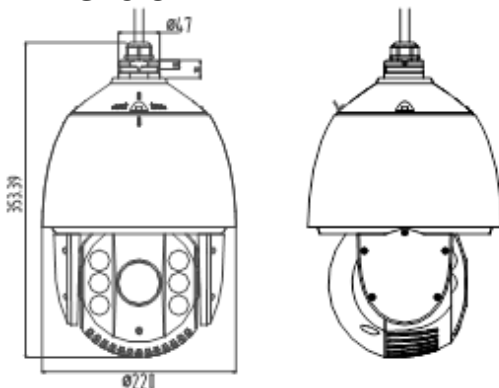
Camera

- **3.0 Megapixel 2048x1536 @25fps**
- H.264 High Profile
- **30x** Optical, 16x Digital Zoom
- Auto-Iris, Auto-Focus, TDN
- 3D-DNR, Tri-Stream, **120dB WDR**
- HLC/BLC, Defog, Smart-IR, ROI
- **IR Range : 150m**
- ONVIF compatible

Hardware

- Weatherproof IP66
- 360° Continuous Pan, -15°~90° Tilt
- Max 240°/s Pan Preset Speed
- Max 200°/s Tilt Preset Speed
- 300 Programmable Presets
- 8 Tour, 4 Pattern (up to 10min)
- User Log-in : 20
- µSD card local storage up to 128GB
- 1 Audio in, 1 Audio out
- 2 Alarm in, 1 Alarm out
- Hi-POE or 24VAC
- Lightning Surge Protection
- SMART – Line Crossing, Intrusion Detection

Dimension



Accessories (Option)



Wall Mount



Pole Mount



Corner Mount



Wall Mount (with Termination Box)

4000-Series IP Camera



SPECIFICATION

	Model	CNC445W30IR
Camera	Image Sensor	½.8" progressive scan CMOS Sensor
	Max. Resolution	3MP : 2048x1536 @25fps (PAL)
	Min. Illumination	0 Lux up to 150m
	S/N Ratio	> 55dB
	Shuttle	1/25 ~ 1/10,000 @50Hz
	Day & Night	Filter Change or TDN (True Day & Night)
	Privacy Mask	8
Lens	Focal Length	30X (4.3~129mm)
	Aperture	F1.6 ~ F5.0
Mechanism	Pan Speed	0.1~160°/s Manual, 240°/s Preset
	Tilt Speed	0.1~120°/s Manual, 200°/s Preset
	Presets	300
	Tour	8 Tour (Each with max. 32 Presets)
	Park / Schedule Action	Preset, Scan, Tour
In/Out	Audio	1 Mic. In, 1 Line Out
	Alarm	2 Alarm In, 1 Alarm Out
Network	Ethernet	10/100 Base-T, RJ45 connector
	Audio Compression	G.711ulaw / G.711alaw / G.726
	Simultaneous Log-in	20 users
	Tri-Stream	Support
	SD Storage	Manual / Alarm Rec, up to 128GB
	User Control Level	Up to 32 Users, 3 Level (Admin, Control, View)
General	Working Environment	-30° ~ +65°C, <90° Humidity (Non-Condensing)
	Protection	IP66, 4KV surge protection
	Power	POE / 24VAC, Max. 40W (IR On) / 30W (IR Off)
	Dimension	220mm(φ) x 355mm(H), 4.5kg

* Specification maybe changed without prior notice