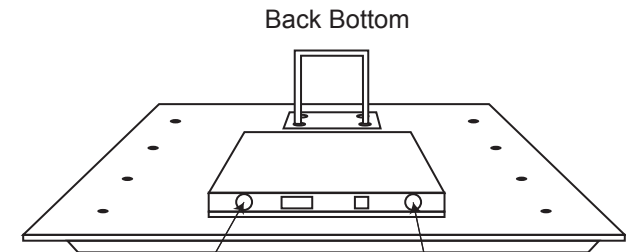
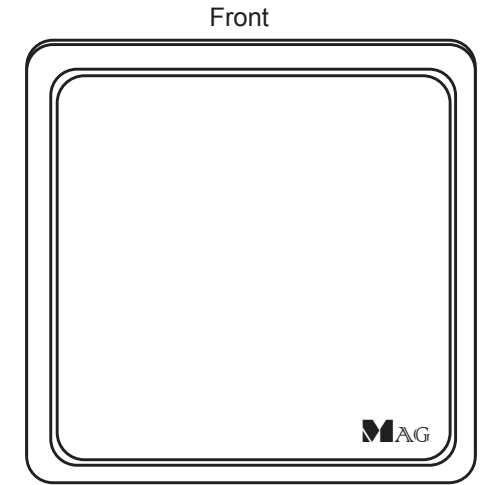
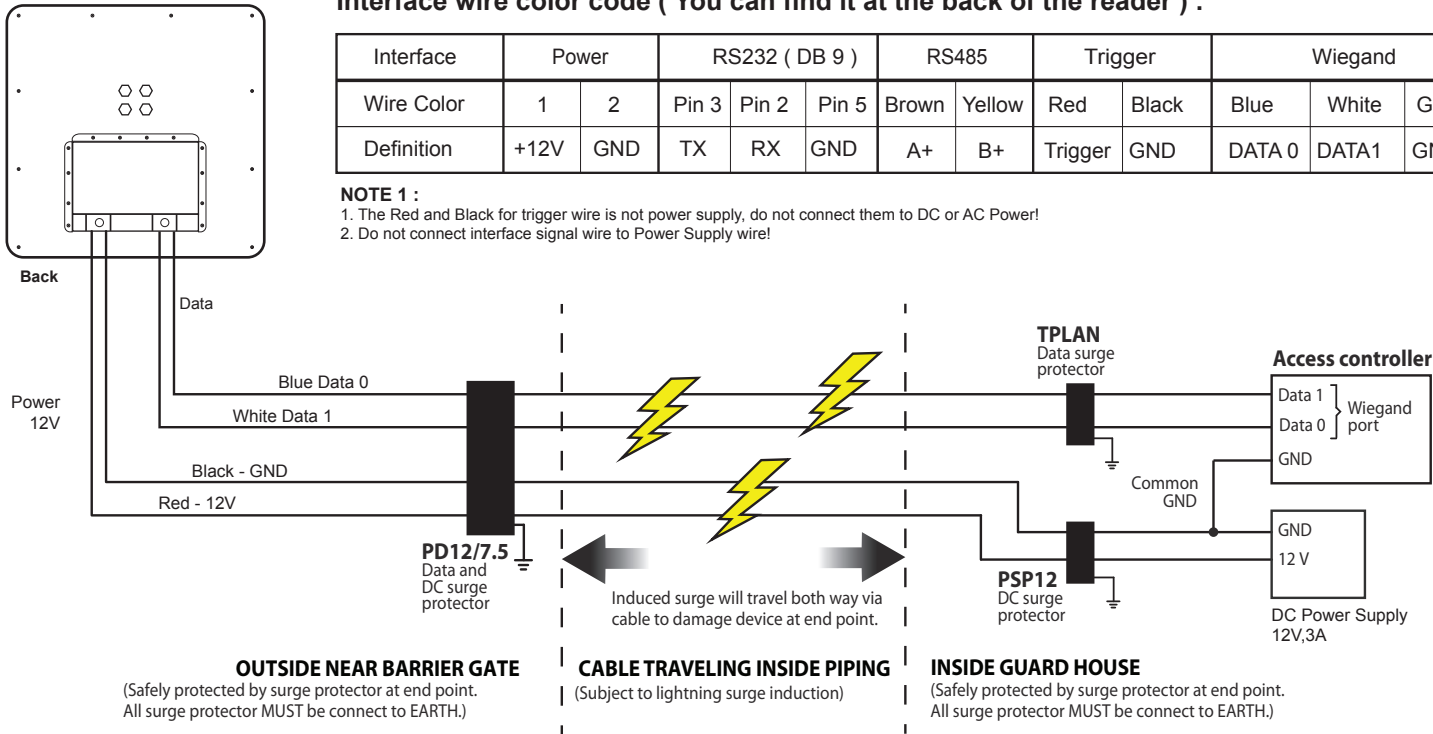


**Interface wire color code ( You can find it at the back of the reader ) :**

Interface	Power		RS232 ( DB 9 )			RS485		Trigger		Wiegand		
Wire Color	1	2	Pin 3	Pin 2	Pin 5	Brown	Yellow	Red	Black	Blue	White	Green
Definition	+12V	GND	TX	RX	GND	A+	B+	Trigger	GND	DATA 0	DATA1	GND

**NOTE 1 :**

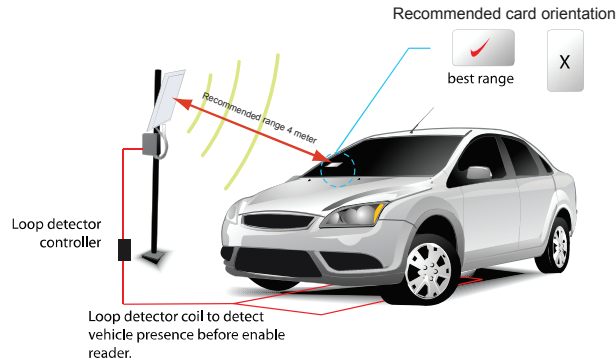
1. The Red and Black for trigger wire is not power supply, do not connect them to DC or AC Power!
2. Do not connect interface signal wire to Power Supply wire!



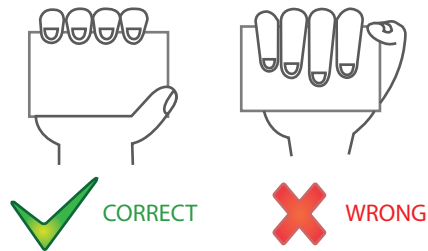
Power Supply ( 2 pins )  
(To be supplied with 12V DC 3A)

Interface wire for controller ( 8 pins )  
1. Weigand 26/34 bit  
2. RS485  
3. Trigger

**1 . Installation Guide**



**2 . Correct way to hold RFID card**



**3 . Distance between windscreen and card**



Best distance between car windscreen and card minimum 10mm clearance. Card should not attach directly to the windscreen surface.

**4 . Installation Tips**

1. Reading range may be short due the frequency interference
2. Wiegand wire are recommend to be less than 5 meter.
3. DC Voltage will decrease if the power cable is too long. Reader will beep if the voltage supplied is less than 9V.
4. Minimum 3 Ampere power supply is needed for reader to operate normally.
5. By default , reader will read same card only after 15 second.

**5 . Surge protection**

- a) AR900U installed outdoor is subject to damaged by lightning surge. It is compulsory to install data and power surge protector as shown in wiring diagram.
- b) Good Earth connection onto the metal pole and all metal housing will give extra protection against damage by lightning surge.