



Sleek and elegant access control

When you need to securely control access to your building, whether residential or commercial, but want to keep the upscale appearance of your entrance, the Magnetic MPW is your ideal choice. The MPW comes in multiple widths, including ADA-compliant passage for wheelchairs, mobility devices and material carts. Photoelectric switches in the housings reliably detect users and open the gates instantly, providing no-contact passage. The barriers close automatically after each person.

The MPW's MHTM™ drive offers high-sensitivity impact detection ensuring maximum personal safety. In addition, the photoelectric switches contribute towards security: they register the passage of persons attempting to tailgate, pass the wrong way, or without authorization and trigger an alarm. The MPW wing gates can be used bi-directionally and can be integrated with most access control systems. The barrier elements are available with acrylic glass or hardened safety glass.



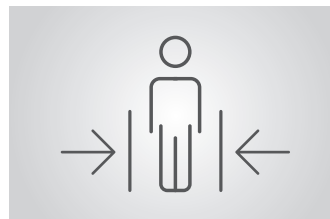
Fast and attractive access control

The short opening times of 0.6 seconds make MPW wing gates suitable for high volume traffic in areas with low to medium security requirements.



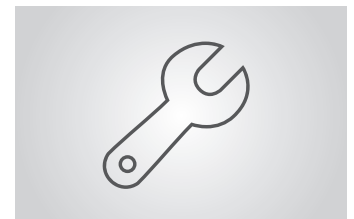
Innovative drive technology

The MHTM™ drive unit is maintenance-free, energy-efficient and quiet. Sensitive impact detection ensures maximum safety.



Reliable processes

Photoelectric switches in the passage reliably detect persons and objects. They facilitate no-contact passage and trigger an alarm in case of improper access attempts.



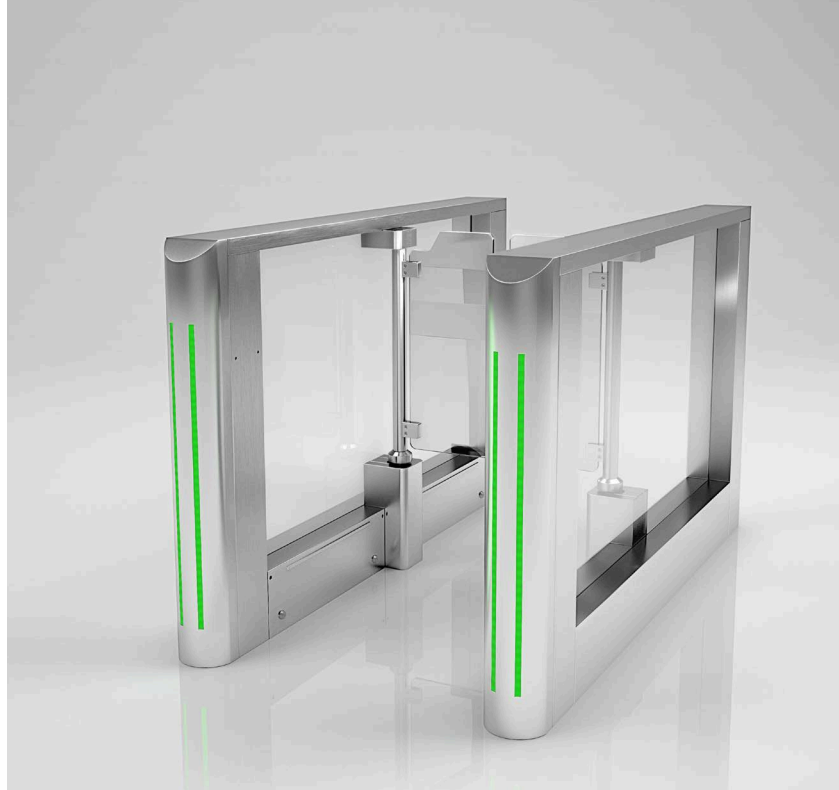
Easily accessible components

All the control and drive components necessary for operation are accommodated in the lockable central segment – considerably simplifying setup and maintenance.

MPW

Wing gates

- > Short opening times of 0.6 seconds for high throughput
- > Sleek design and comfortable no-contact passage
- > Simple integration of most access control systems
- > Automatic opening if power fails
- > Multiple widths suit any need, including wheelchairs and bicycles
- > Designed for 10 million opening and closing actions



Technical data	MPW 112 (Standard)	MPW 112 (Wide Lane)
Passage width	21.7 in	35.4 in
Opening/closing time	0.6 s	1.0 s
Drive technology	MHTM™	MHTM™
Voltage	110 – 240 VAC, 50/60 Hz	110 – 240 VAC, 50/60 Hz
Power consumption	Maximum 120 W	Maximum 120 W
Duty cycle	100 %	100 %
Housing dimensions (L x W x H)	68.9 x 5.9 x 41.1 in	68.9 x 5.9 x 41.1 in
Housing material	Stainless steel 304	Stainless steel 304
Enclosure rating	IP 32	IP 32
Temperature range	-13 to +113° F	32 to +113° F

Options

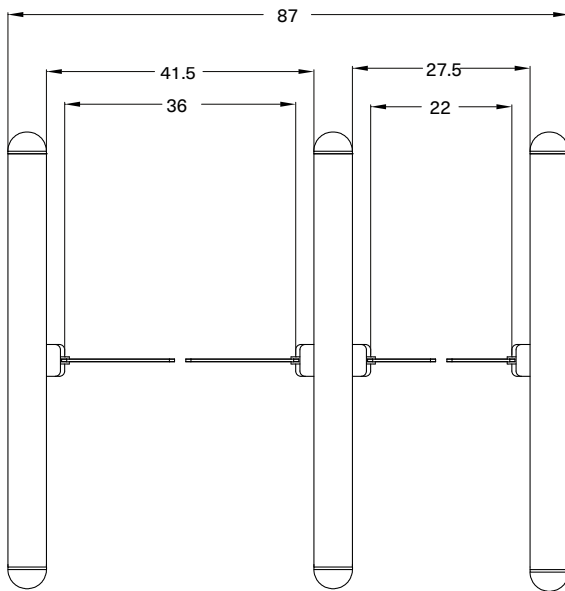
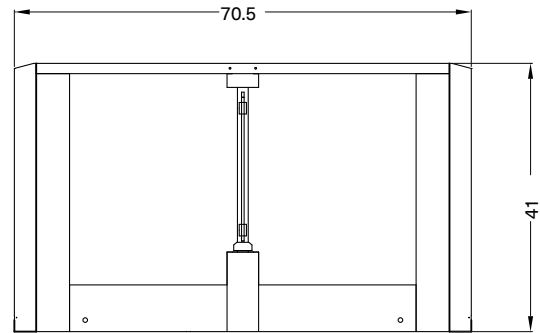
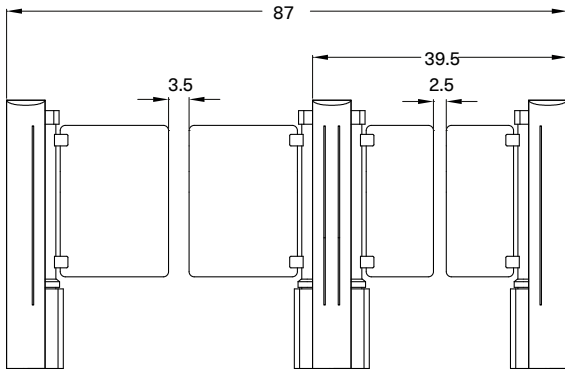
Barrier elements	Acrylic glass or hardened safety glass
Attachments	Customer-specific access control systems

Potential applications

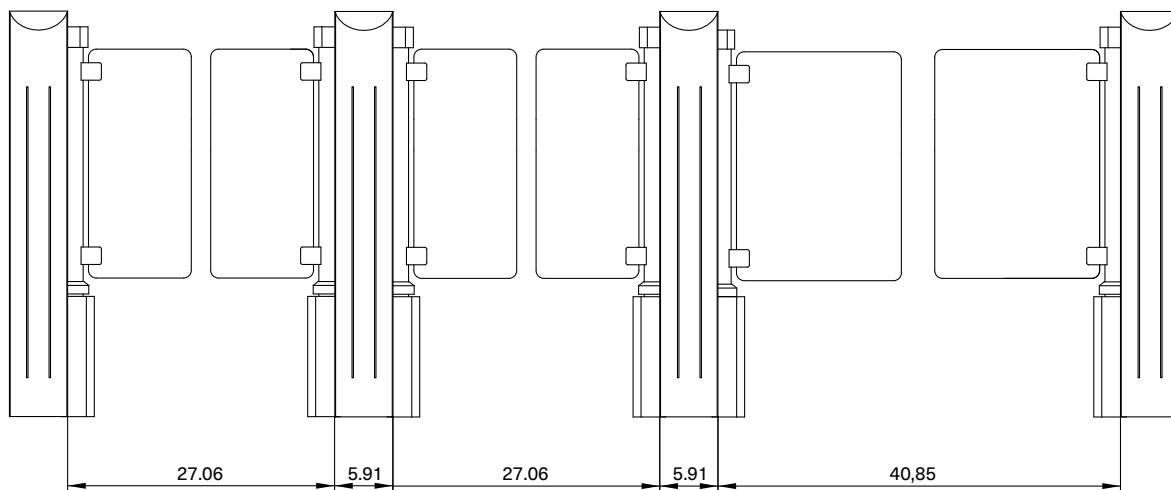


Dimensional drawings

MPW 112 Standard with 22 in passage width
MPW 112 Wide Lane with 36 in passage width



Line configuration with combinable modules



A wide variety of space-saving applications for pedestrians and wheelchair users can easily be implemented using a combination of modules with gates on one or two sides and with narrow or wide passages.

Access to Progress

Magnetic stands for pioneering products – in every way. Our access control systems for vehicles or pedestrians clear the way for thousands of people every day – at car parks, toll gates, stations, airports and in buildings. Our technology is also pioneering, however: with innovative drives, intelligent control systems and well thought-out details it provides maximum safety and longevity. Are you also on the path to Magnetic?



Vehicle barriers

Access barriers
Parking barriers
Toll barriers
Special barriers



Pedestrian gates

Turnstiles
Swing gates
Tripod gates
Retractable gates
Wing gates



Terminals

Cars
Trucks

Germany
MAGNETIC AUTOCONTROL GMBH
Grienmatt 20
79650 Schopfheim
Phone +49 7622 695-5
Fax +49 7622 695-800
E-mail info@magnetic-germany.com

Australia
MAGNETIC AUTOMATION PTY LTD
38 Metrolink Circuit
Campbellfield, VIC 3061
Phone +61 3 9339 2900
E-mail info@magnetic-oz.com

Brazil
MAGNETIC AUTOCONTROL LTDA
Av. Salim Antônio Curiati, 136
04690-050 – São Paulo
Phone +55 11 5660 8500
E-mail info@magnetic-br.com

China
MAGNETIC CONTROL SYSTEMS CO., LTD
No. 3 Building, No. 51
Lane 1159, Kang Qiao (East) Road
Kang Qiao Industrial Zone, Shanghai
Phone +86 21 68182970
E-mail info@magnetic-cn.com

France
FAAC FRANCE
377 Rue Ferdinand Perrier
69808 St Priest Cedex
Phone +33 4 72 21 86 89
E-mail info@magnetic-fr.com

India
MAGNETIC AUTOCONTROL PVT LTD.
PRS Centre
Plot No. 373 to 376, 2nd Floor (West Wing)
1st Cross Street, Nehru Nagar
Old Mahabalipuram Road
Kottivakkam (Opp Rayala Technopark, Perungudi)
Chennai 600041
Phone +91 44 421 23297
E-mail info@magnetic-india.com

Middle East
FAAC MIDDLE EAST FZE
Dubai Silicon Oasis
PO Box 54886
Dubai
United Arab Emirates
Phone +971 4 3724193
E-mail info@magnetic-uae.com

N. and S. America (excl. Brazil)
FAAC INTERNATIONAL, INC
3160 Murell Road
Rockledge, FL 32955
USA
Phone +1 321 635 8585
E-mail info@magnetic-usa.com

Scandinavia
FAAC NORDIC AB
Box 125
284 22 Perstorp
Sweden
Phone +46 435 77 95 03
E-mail info@magnetic-nordic.com

Southeast Asia
MAGNETIC CONTROL SYSTEMS SDN. BHD
No. 17, Jalan Anggerik Mokara 31/54
Taman Perindustrian Kota Kemuning
40460 Shah Alam
Selangor Darul Ehsan
Malaysia
Phone +60 3 5123 0033
E-mail info@magnetic-malaysia.com