

MPP

Motorized pivot-arm turnstile



High-volume traffic, indoors and outdoors

For managing access at swimming pools, sports stadiums or other public facilities, Magnetic MPP pivot-arm turnstiles offer simplicity, reliability and straightforward medium-security control. The rugged housings and stainless steel barrier arms not only withstand rough use, but are also suitable for outdoor applications (optional 304-grade stainless). MPP turnstiles offer versatile operation: many people can be easily managed, while bi-directional operation permits a single turnstile to act as both entrance and exit. MPP turnstiles are also ideally equipped to handle passage in emergency situations:

The barrier can permit free passage if there is a power outage or a security alarm activation. When equipped with the Drop-Arm option, the upper arm drops downwards and provides free passage. The arm automatically returns to its original position after the emergency signal is canceled or power has been restored. The innovative MHTM™ drive technology operates without maintenance, energy-efficiently and quietly, and its sensitive impact detection ensures maximum safety. MPP turnstiles can be controlled using most access control systems and are available with two different length housing variants and multiple stainless grades.



Rapid people management

Thanks to its turnstile design, the MPP is suitable for the rapid handling of large numbers of people in areas with low-to-medium security requirements.



Innovative drive technology

The MHTM™ drive unit operates without maintenance, energy-efficiently and quietly. Sensitive impact detection ensures maximum safety.



Free escape routes

The barrier allows free passage if there is a power outage or an alarm signal. With the Drop-Arm option, the upper arm drops downwards and provides free passage. The arm automatically returns to its original position after the emergency signal is cancelled or power has been restored.



Easily accessible components

All the control and drive components necessary for operation are accommodated in the upper housing of the MPP – considerably simplifying setup and maintenance.

MPP



Motorized pivot-arm turnstile

- > Rugged and reliable turnstiles for high throughput
- > Optional drop-arm mechanism permits passage in case of power failure or alarm
- > High-quality stainless steel housing for indoor or outdoor use
- > Simple integration of most access control systems
- > Designed for 10 million throughput cycles

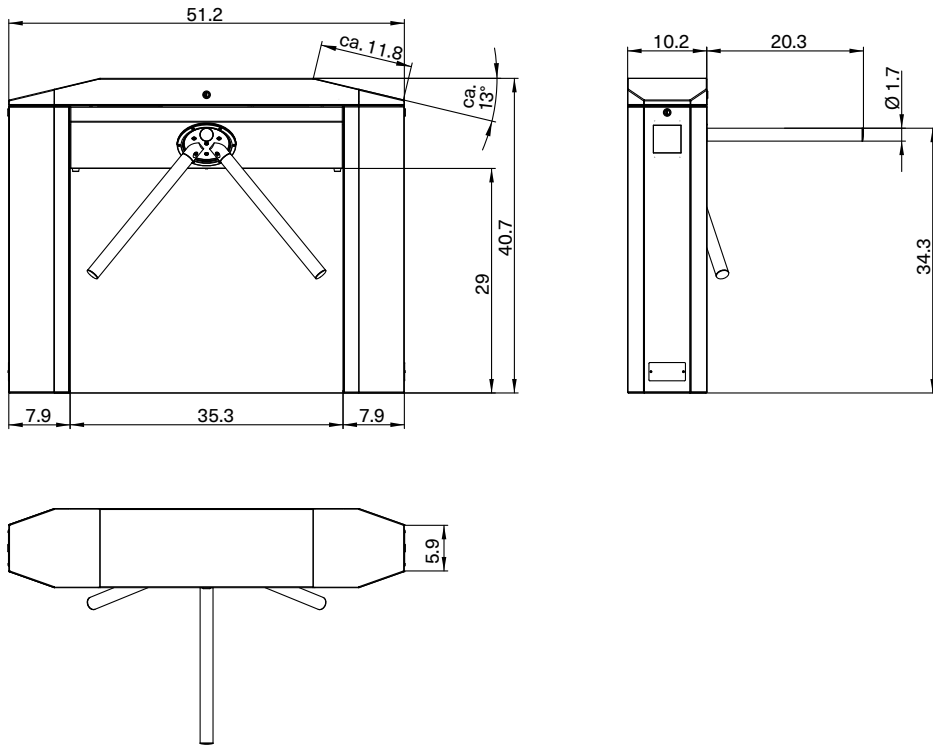


| Technical data | MPP 122 | MPP 222 | MPP 112 | MPP 212 |
|--------------------------------|-------------------------|---------|-------------------------|---------|
| Application | Indoor | Outdoor | Indoor | Outdoor |
| Housing variant | Long | | Short | |
| Passage width | 20.25 in | | 20.25 in | |
| Drive technology | MHTM™ | | MHTM™ | |
| Voltage | 110 – 240 VAC, 50/60 Hz | | 110 – 240 VAC, 50/60 Hz | |
| Power consumption | Max. 65 W | | Max. 65 W | |
| Duty cycle | 100 % | | 100 % | |
| Housing dimensions (L x W x H) | 51.2 x 10.2 x 40.7 in | | 15.7 x 11.8 x 40.7 in | |
| Enclosure rating | IP 32 | IP 44 | IP 32 | IP 44 |
| Weight | Approx. 133 lb | | Approx. 88 lb | |
| Temperature range | -13 to +122 °F | | -13 to +122 °F | |

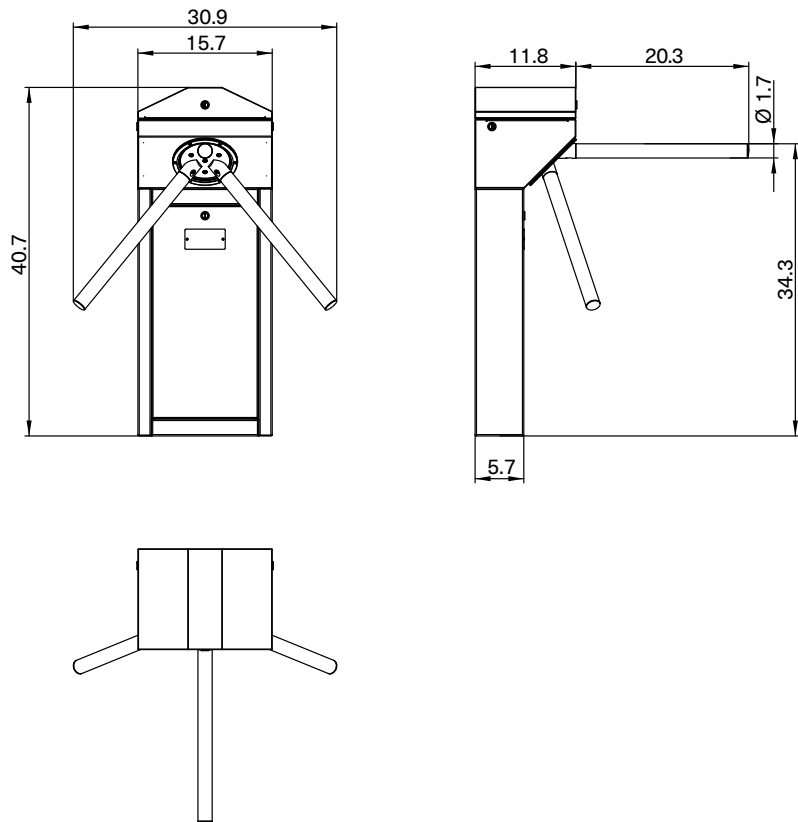
| Options | |
|------------------|---|
| Barrier elements | Barrier arm with drop-arm technology |
| Components | Heating, throughput display, coin validator, cash register system |
| Housings | Adaptations to customer-specific access control systems |
| Extensions | Extended housing for installation of coin validators |

| Potential applications | |
|---|---|
|  |  |

MPP 122/222



MPP 112/212



Access to Progress

Magnetic stands for pioneering products – in every way. Our access control systems for vehicles or pedestrians clear the way for thousands of people every day – at car parks, toll gates, stations, airports and in buildings. Our technology is also pioneering, however: with innovative drives, intelligent control systems and well thought-out details it provides maximum safety and longevity. Are you also on the path to Magnetic?



Vehicle barriers

Access barriers
Parking barriers
Toll barriers
Special barriers



Pedestrian gates

Turnstiles
Swing gates
Tripod gates
Retractable gates
Wing gates



Terminals

Cars
Trucks

Germany
MAGNETIC AUTOCONTROL GMBH
Grienmatt 20
79650 Schopfheim
Phone +49 7622 695-5
Fax +49 7622 695-800
E-mail info@magnetic-germany.com

Australia
MAGNETIC AUTOMATION PTY LTD
38 Metrolink Circuit
Campbellfield, VIC 3061
Phone +61 3 9339 2900
E-mail info@magnetic-oz.com

Brazil
MAGNETIC AUTOCONTROL LTDA
Av. Salim Antônio Curiati, 136
04690-050 – São Paulo
Phone +55 11 5660 8500
E-mail info@magnetic-br.com

China
MAGNETIC CONTROL SYSTEMS CO., LTD
No. 3 Building, No. 51
Lane 1159, Kang Qiao (East) Road
Kang Qiao Industrial Zone, Shanghai
Phone +86 21 68182970
E-mail info@magnetic-cn.com

France
FAAC FRANCE
377 Rue Ferdinand Perrier
69808 St Priest Cedex
Phone +33 4 72 21 86 89
E-mail info@magnetic-fr.com

India
MAGNETIC AUTOCONTROL PVT LTD.
PRS Centre
Plot No. 373 to 376, 2nd Floor (West Wing)
1st Cross Street, Nehru Nagar
Old Mahabalipuram Road
Kottivakkam (Opp Rayala Technopark, Perungudi)
Chennai 600041
Phone +91 44 421 23297
E-mail info@magnetic-india.com

Middle East
FAAC MIDDLE EAST FZE
Dubai Silicon Oasis
PO Box 54886
Dubai
United Arab Emirates
Phone +971 4 3724193
E-mail info@magnetic-uae.com

N. and S. America (excl. Brazil)
FAAC INTERNATIONAL, INC
3160 Murell Road
Rockledge, FL 32955
USA
Phone +1 321 635 8585
E-mail info@magnetic-usa.com

Scandinavia
FAAC NORDIC AB
Box 125
284 22 Perstorp
Sweden
Phone +46 435 77 95 03
E-mail info@magnetic-nordic.com

Southeast Asia
MAGNETIC CONTROL SYSTEMS SDN. BHD
No. 17, Jalan Anggerik Mokara 31/54
Taman Perindustrian Kota Kemuning
40460 Shah Alam
Selangor Darul Ehsan
Malaysia
Phone +60 3 5123 0033
E-mail info@magnetic-malaysia.com